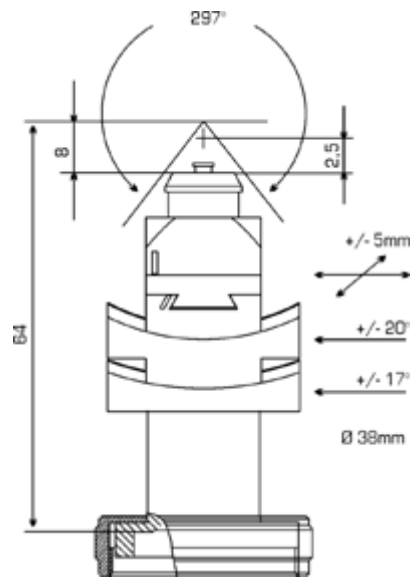




Goniometer Head 1002



Adjustable axes:	Rx, Ry, Y, X, Z
Range X [mm]:	+/- 5
Range Y [mm]:	+/- 5
Range Z [mm]:	2.5
Range Ry [°]:	+/- 20
Range Rx [°]:	+/- 17
Height [mm]:	64
Read-out accuracy [°]:	0.1
Weight [kg]:	0.16

Included:

- adjustment pin
- goniometer head key
- storage box
- adhesive wax
- 4x sample carrier

