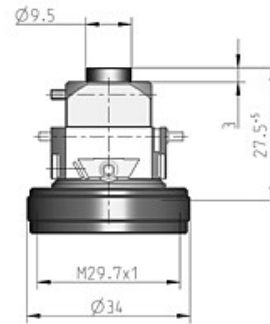




## Goniometer Head 1004-S Magnet

---

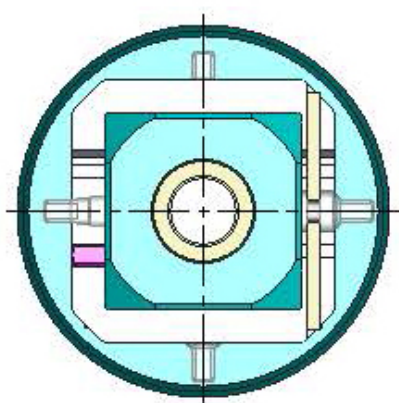
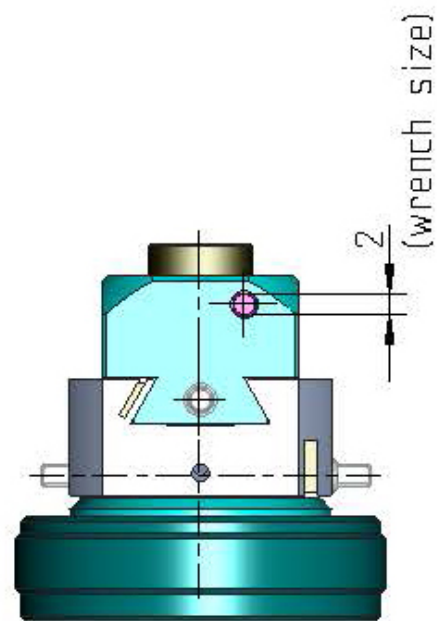
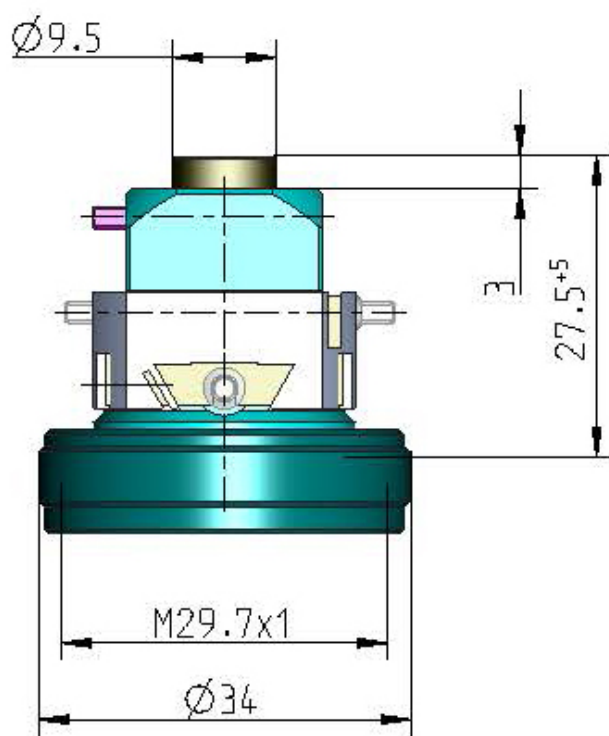


Adjustable axes:	X, Y, Z
Range X [mm]:	+/- 2.5
Range Y [mm]:	+/- 2.5
Range Z [mm]:	+5
Height [mm]:	27,5
Weight [kg]:	0.12

### Included:

---

- goniometer head key
- storage box



Translation  $\pm 2.5$  mm

Translation  $\pm 2.5$  mm

