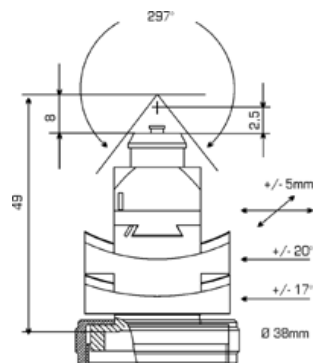




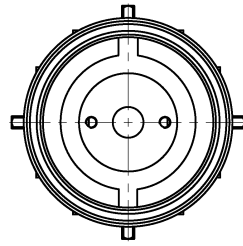
Goniometer Head 1005



Adjustable axes:	Rx, Ry, Y, X, Z
Range X [mm]:	+/- 5
Range Y [mm]:	+/- 5
Range Z [mm]:	2.5
Range Ry [°]:	+/- 20
Range Rx [°]:	+/- 17
Height [mm]:	49
Read-out accuracy [°]:	0.1
Weight [kg]:	0.14

Included:

- adjustment pin
- goniometer head key
- storage box
- adhesive wax
- 4x sample carrier



Translation ± 4 mm
 Rotation $\pm 17'$

Translation ± 4 mm
 Rotation $\pm 20'$

