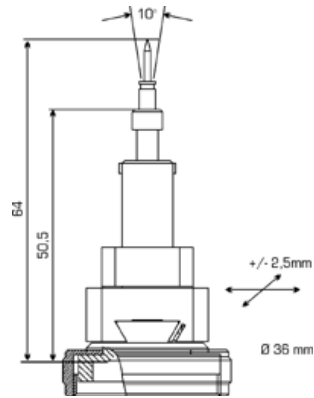




Goniometer Head 1007



Adjustable axes:	X, Y, Tilt
Range X [mm]:	+/- 2.5
Range Y [mm]:	+/- 2.5
Tilt [°]:	+/- 10
Height [mm]:	64
Weight [kg]:	0.11

Included:

- adjustment pin
- goniometer head key
- storage box
- adhesive wax
- 4x sample carrier

