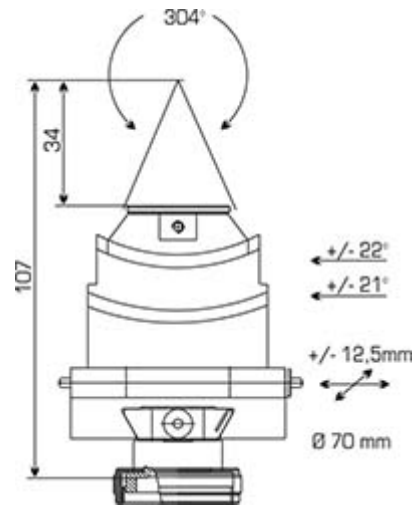




## Goniometer Head 1003



Adjustable axes:	X, Y, Ry, Rx
Range X [mm]:	+/- 12.5
Range Y [mm]:	+/- 12.5
Range Ry [°]:	+/- 21
Range Rx [°]:	+/- 22
Height [mm]:	107
Read-out accuracy [°]:	0.1
Weight [kg]:	1.0

### Included:

- adjustment pin
- goniometer head key
- storage box
- adhesive wax
- 2x sample carrier

